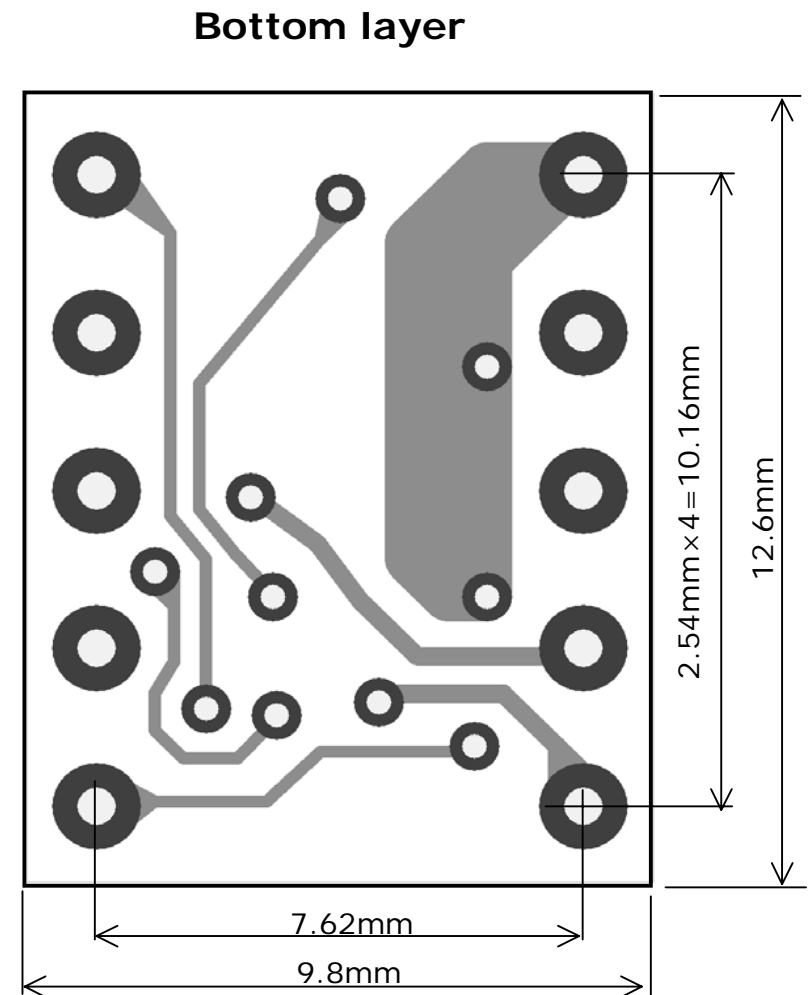
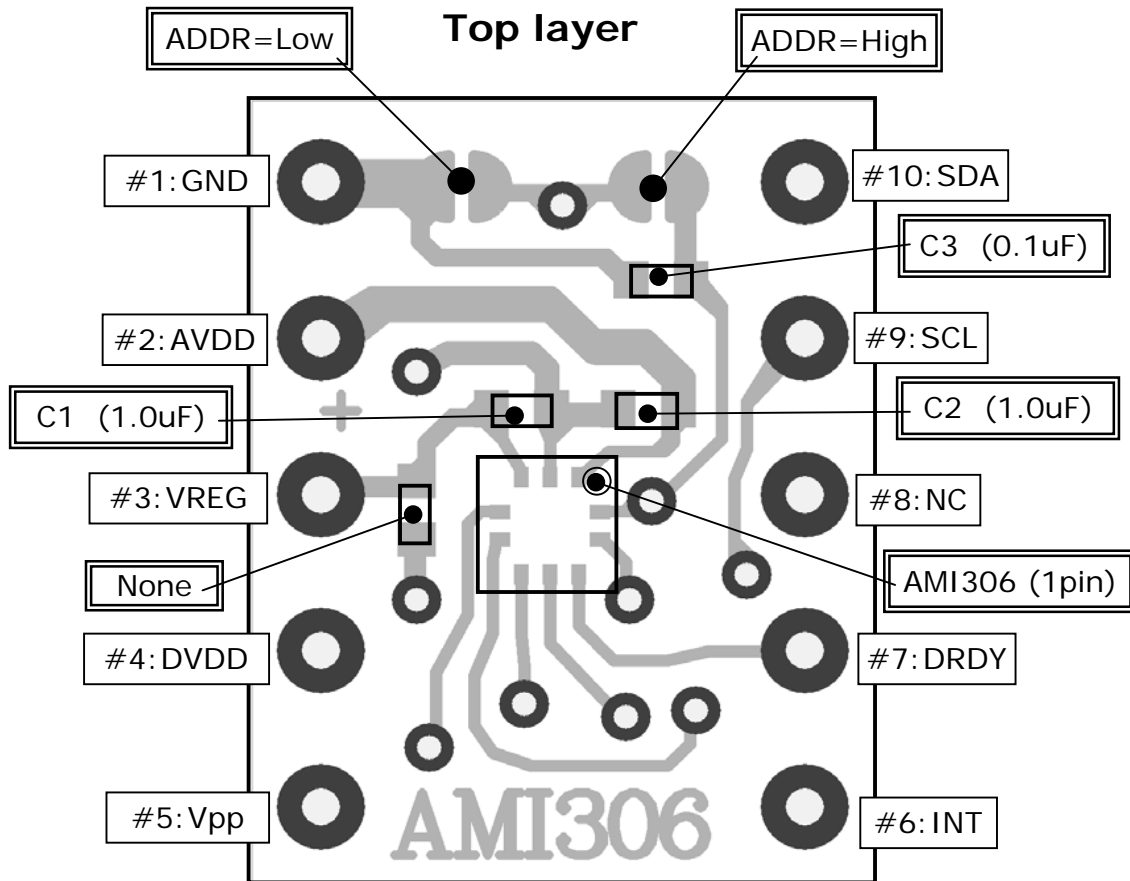


Rev	Content	Name	Date
0		Mori	12-Jan-10



Title	AMI306_DIP10 PCB
Number	