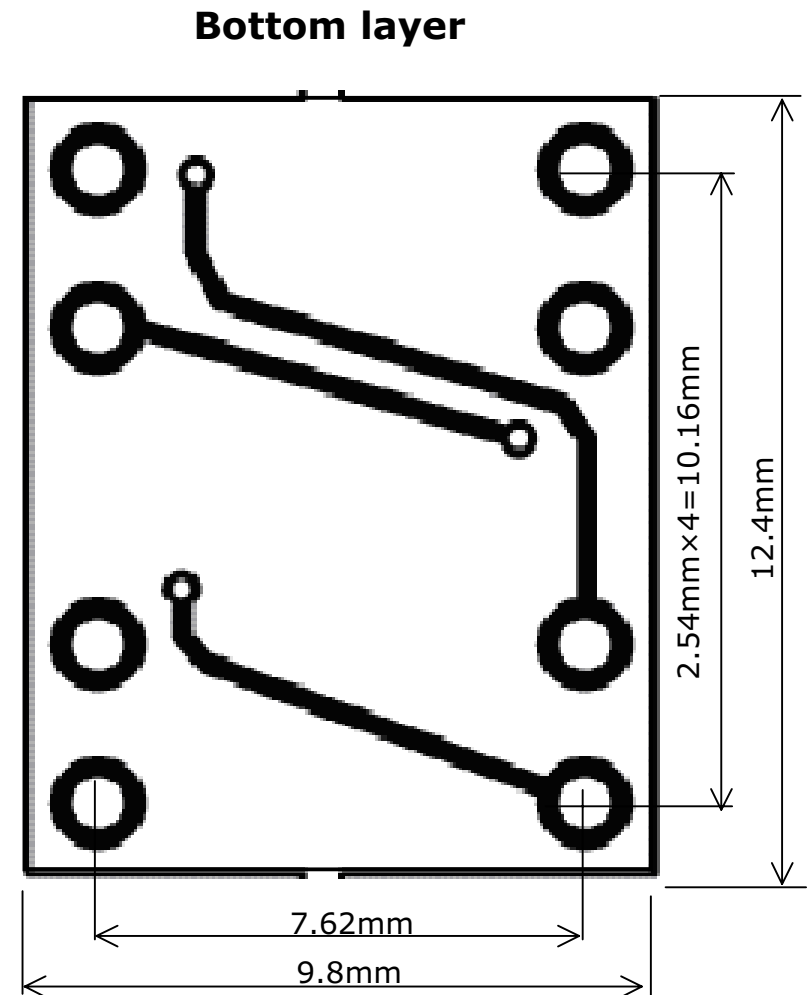
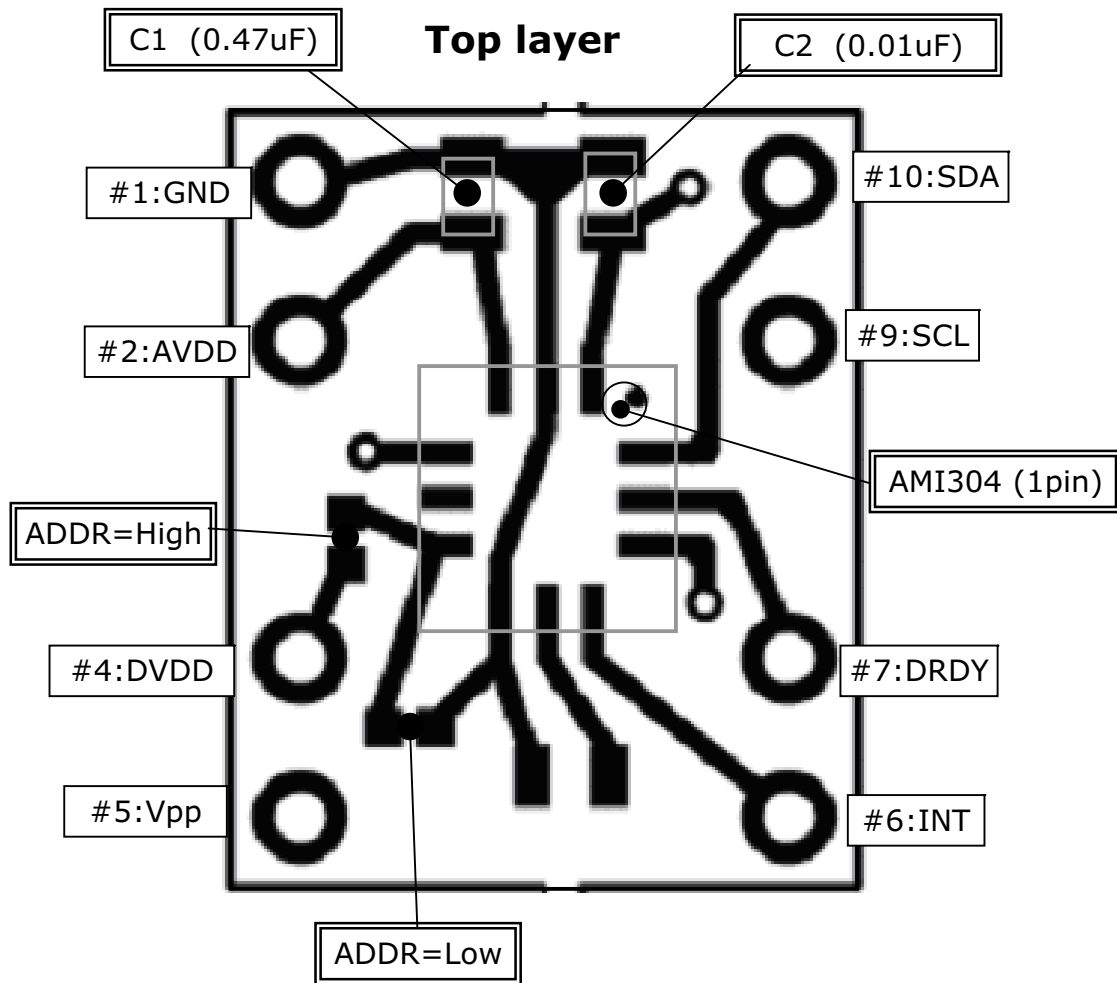


Rev	Content	Name	Date
0		Mori	29-Mar-10



Title	AMI304_DIP10 PCB
Number	